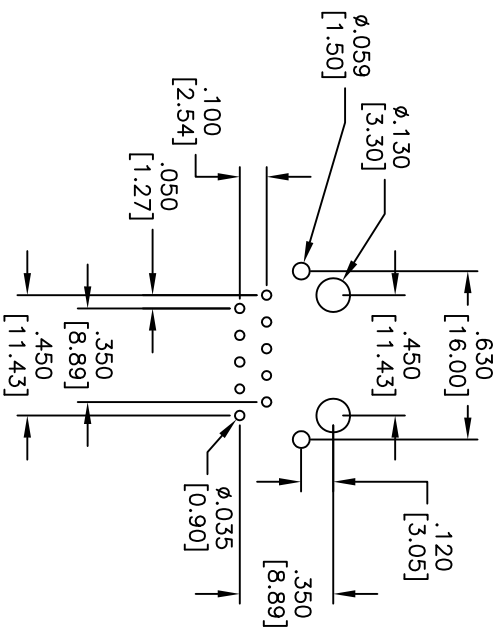
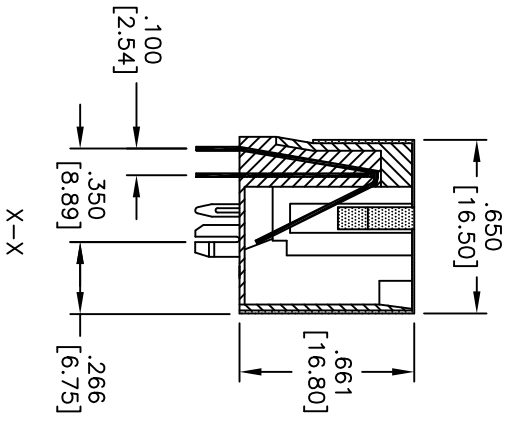
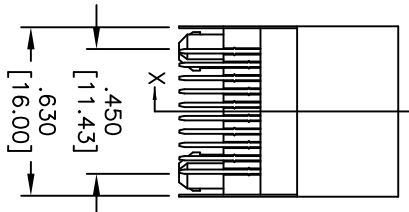
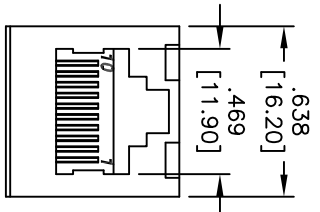


APPROVED: _____
 DATE: _____ TITLE: _____

Rev	AWO #	Description	Date	Appr
-		RELEASED	10/4/04	
A		CHANGED DESIGN	5/28/10	



RECOMMENDED PCB LAYOUT

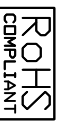
X	PLATING
0	15 µin Gold
1	30 µin Gold
2	50 µin Gold

SPECIFICATIONS:

Material:
 Insulator: PBT, glass reinforced, rated UL 94V-0
 Insulator color: Black
 Contacts: Phosphor Bronze
 Shielded: Brass, Nickel plated
Plating:
 Gold over Nickel underplate on contact area,
 Tin over Copper underplate on PCB tails.

Electrical:
 Operating voltage: 120 VAC
 Current rating: 1.5 Amps max
 Contact resistance: 20 mohms max
 Insulation resistance: 500 Mohms min
 Dielectric withstanding voltage: 1000 Vrms for 1 minute
Temperature Rating:
 Operating temperature: -40°C to +125°C

Environmental:
 Lead free, RoHS compliant.
 Recommended soldering temp: 235°C for 5 sec.



ADAM TECH

909 Railway Avenue, Union, NJ 07083
 Phone: 908-687-5000 Fax: 908-687-5710

MODULAR TELEPHONE JACK, 10P10C
 RIGHT ANGLE, PCB, FULL SHIELD

UNLESS OTHERWISE SPECIFIED ALL DIMENSIONS ARE INCHES [MM]	
TOLERANCES: EXCEPT AS NOTED	
INCHES	HOLDS
.X ± .10	± .10
.XX ± .020	± .015
.XXX ± .015	± .010
APPROVALS	DATE
DRAWN	SS
CHECKED	04/05/05
APPROVED	

SIZE	PART NO.	REV.
X	MTJ-1010FX1-FSD	A
REF: S0005T	SCALE: NTS	SHEET 1 OF 1